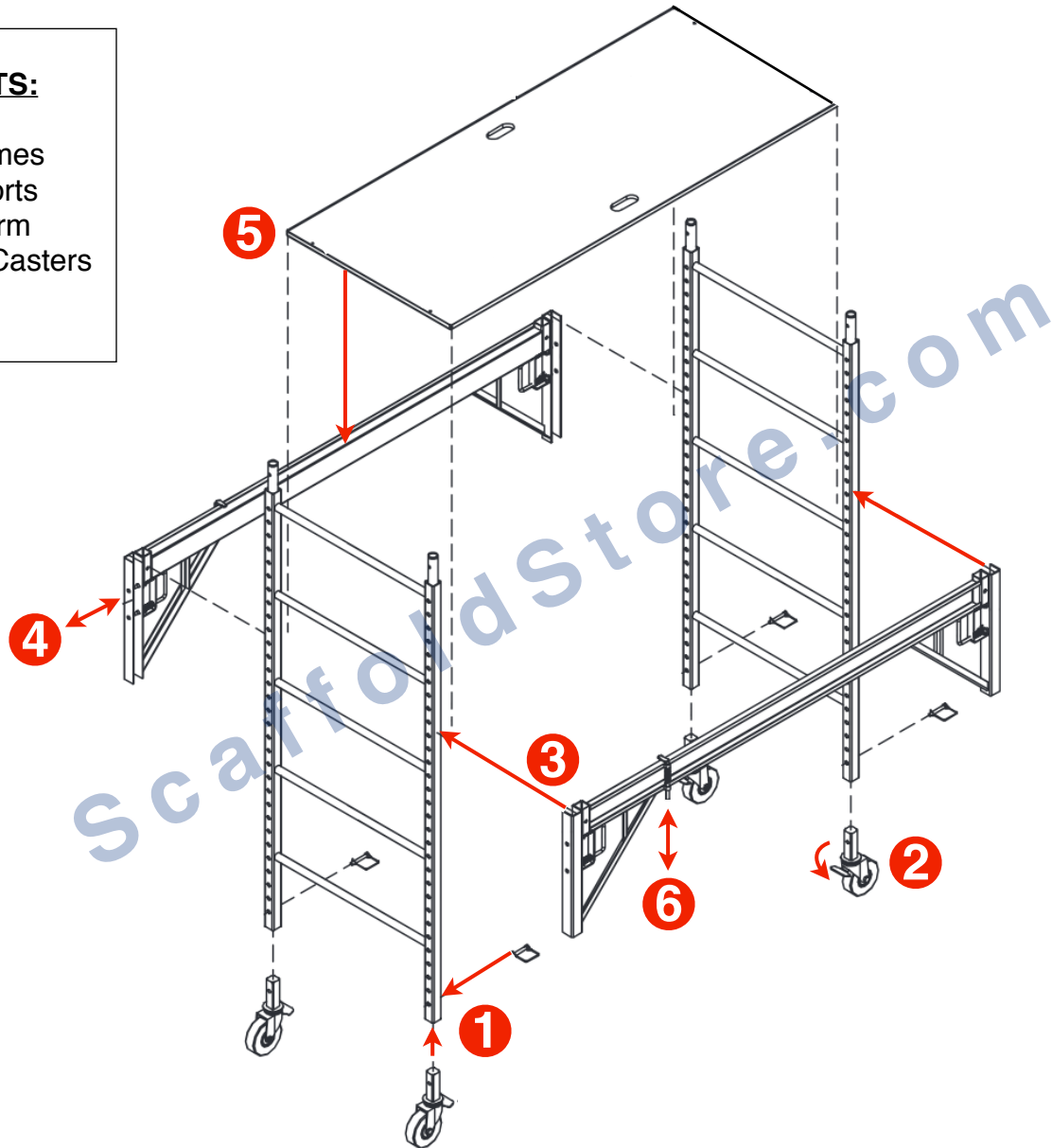


MULTI-FUNCTION UNIT

ASSEMBLY INSTRUCTIONS

BOX CONTENTS:

- 2 - Ladder Frames
- 2 - Deck Supports
- 1 - Work Platform
- 4 - 5" Locking Casters
- 4 - Span Pins



- 1** Insert all Casters into the bottom of each Frame Leg, using the included Span Pins.
- 2** Lock each Caster by firmly depressing the brake lever.
- 3** While retracting the U-Lock on the Deck Support, attach the Deck Support to the Frame Leg, at your desired height.
- 4** Ensure that the U-Lock pins (2) engage into 2-holes on the Frame Leg (the U-Lock pins will not extend all the way through the Frame Leg).
- 5** Install the Work Platform on to the Deck Supports, ensuring that it is seated in the channel.
- 6** Secure the Work Platform to the Deck Supports, by turning the Deck Lock to the inside, with the tab resting atop of the Work Platform.

NEVER RIDE SCAFFOLD & ALWAYS LOCK CASTERS!